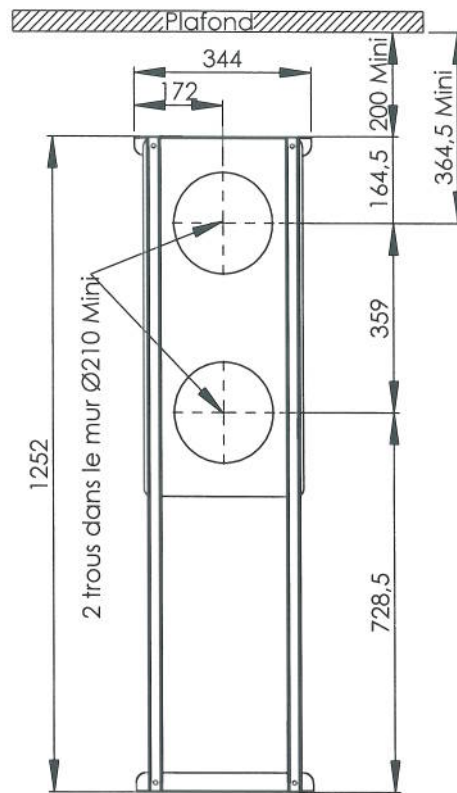
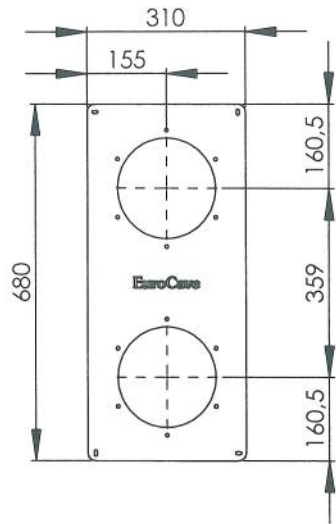
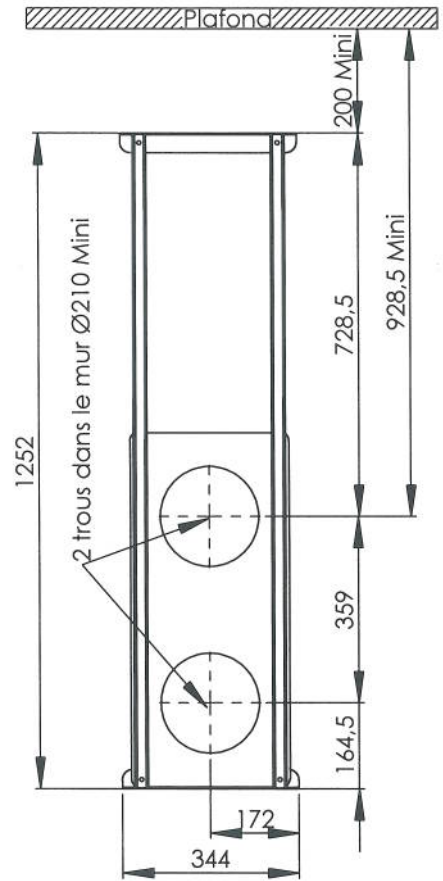


Dimensions plaque de propreté



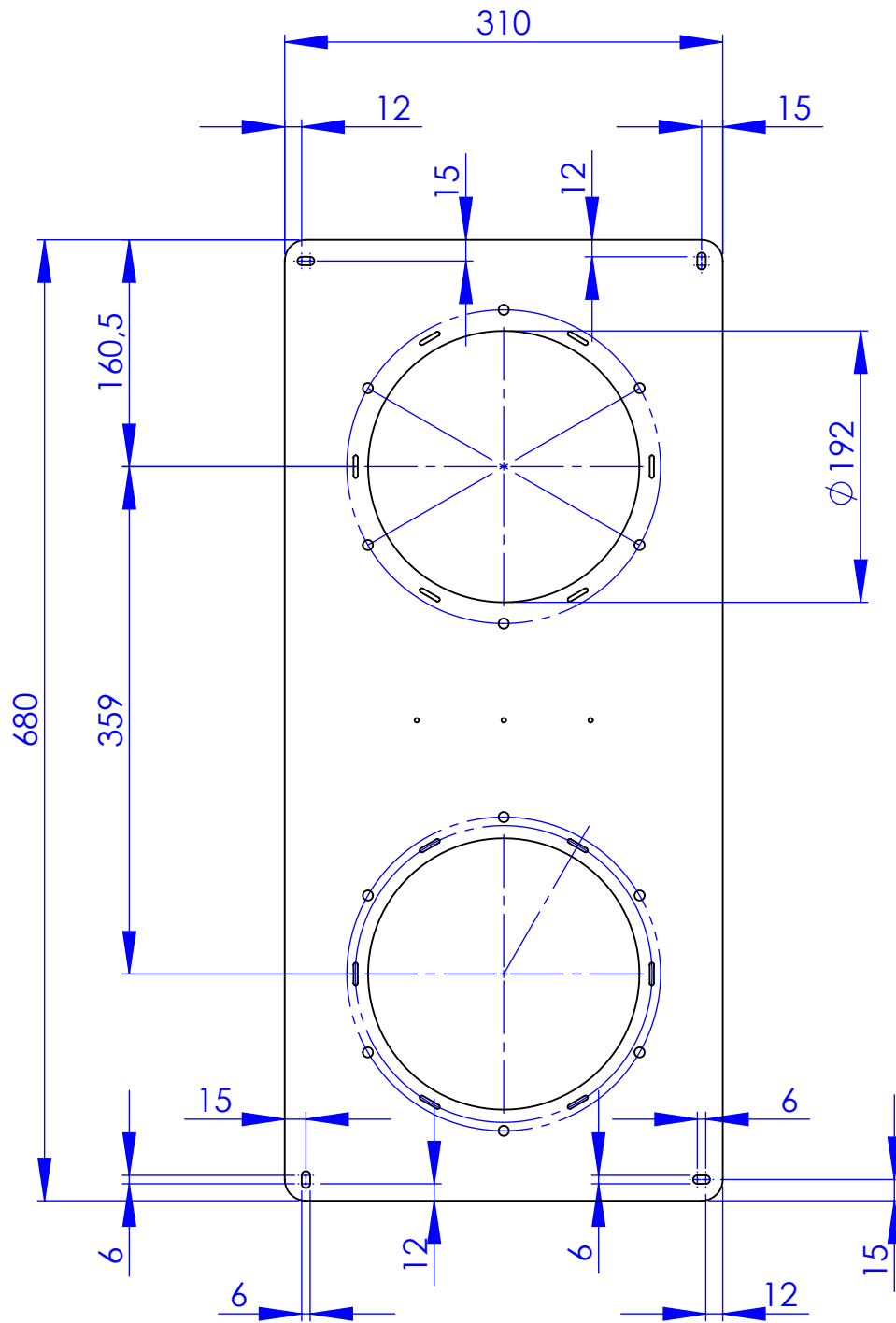
Appareil fixé à l'extérieur de la cave


Dimensions support mural



Appareil fixé à l'intérieur de la cave

| Index | Modification | Date | Name | Reference |
|---|--|--------------------------------------|----------------------|-----------|
| Material: | | Weight:3160.04g | Drawing number:E0382 | |
| Designed by | Folder name | Date | Scale | |
| HEN | I:\BPP\CAO\ETUDES\HEN-04-02\CLIMATISEUR\Etude Reverso 400 et 1200W\Etude colonne 1200W\S-E Fiches techniques\Implantation CLIM dans la cave\ | 15/11/2006 | 1:20 | |
|  | | ENSEMBLE FIXATION MURAL version tole | | |
| General Tolérances: | | Modele :CLIM | Size | Sheet |
| - | | | A3 | 1/1 |



| Index | Modification | Date | Name | Reference |
|---|---|---------------------------|-----------------------|----------------------------|
| Material: Acier galvanisé | | Weight: 1191.35g | Drawing number: E0383 | |
| Designed by Hen | Folder name C:\CAO_PDM\Projet #005 - Climatiseur INOA\12.CONCEPTION 3D #005\Etude colonne 1200W\S-E Fixation murale\ | Date 15/11/2006 | Scale 1:10 | |
|  | | Plaque de propreté murale | | |
| General Tolérances: js13/JS13 | | Modele : INOA50 | | Size A4 Sheet 1/1 |

This document is the property of Eurocave company and cannot be communicate without written agreement.
Ce document est la propriété de la société Eurocave et ne peut être communiqué sans autorisation écrite.